



The Series 385 is a 16 mm wide, manifold mount, miniature isolation valve designed to control the flow of aggressive chemicals or high purity fluids. The Series 385 offers the following benefits:

- Compact manifold design saves space and reduces assembly time.
- Prevents contamination of fluid sample, due to excellent flushing characteristics.
- Rocker design significantly reduces erratic flow caused by pumping action in poppet style valves.
- Available with inert materials of construction such as PEEK and FFKM to handle aggressive chemicals or high purity media.

### Construction

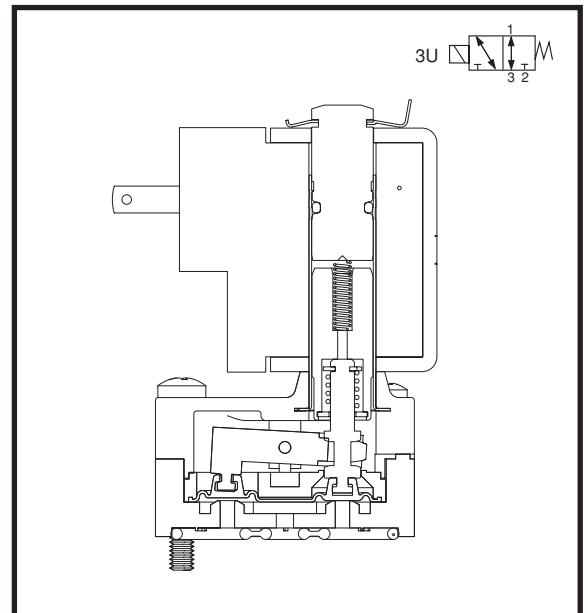
Valve Parts in Contact with Fluids	
Body	PEEK
Diaphragm	FFKM (Perfluoro Elastomer), EPDM or FKM

### Electrical

Standard Voltages	12, 24 VDC (+10%, -5%)
Power Consumption	4 Watts
Duty Cycle Rating	Continuous
Coil Insulation	Class F
Ambient Temperature	14°F to 140°F (-10°C to 60°C)
Electrical Connection	15" Lead Wire Assembly, DIN Terminals (2.8mm x .5mm, DIN 46340)
Protection Rating	Watertight (IP65) with DIN Plug Connector

### Valve

Response Time	~20 ms (to open or close)
Internal Volume	67µL
Fluid Temperature	14°F to 140°F (-10°C to 60°C)
Vacuum Rating	FFKM: 20" Hg at any port EPDM or FKM: Consult ASCO for use with vacuum.

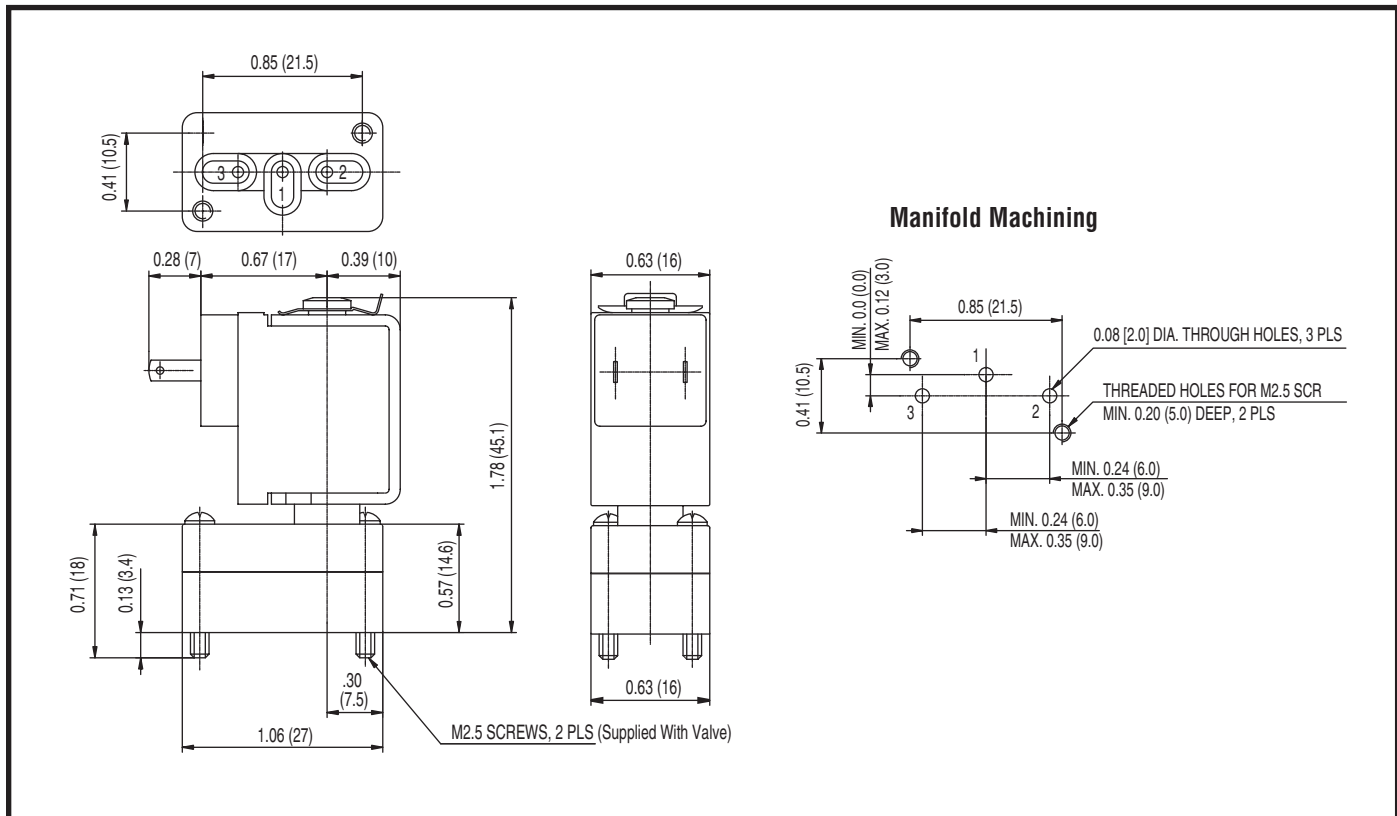


Specifications

Ports	Orifice Size (ins.)	Cv Flow Factor	Differential Pressure (psi)				Diaphragm Material	Catalog Number	Const. Ref.	Power (Watts)	Weight (oz)	
			Min.	Max.		DC						
				AC	DC							AC
<b>Valve with Leaded Coil</b>												
Manifold	0.06	0.04	0	-	35	-	35	FFKM	S385A001	1	4	1.4
								EPDM	S385A001E			
								FKM	S385A001V			
1/4-28 UNF FB	0.06	0.04	0	-	35	-	35	FFKM	8385A001	2	4	1.4
								EPDM	8385A001E			
								FKM	8385A001V			
Barb for 3/32" ID Tube	0.06	0.04	0	-	35	-	35	FFKM	H385A001	3	4	1.4
								EPDM	H385A001E			
								FKM	H385A001V			
<b>Valve with DIN Terminal Coil</b>												
Manifold	0.06	0.04	0	-	35	-	35	FFKM	SCS385A001	1	4	1.4
								EPDM	SCS385A001E			
								FKM	SCS385A001V			
1/4-28 UNF FB	0.06	0.04	0	-	35	-	35	FFKM	SC8385A001	2	4	1.4
								EPDM	SC8385A002V			
								FKM	SC8385A001V			
Barb for 3/32" ID Tube	0.06	0.04	0	-	35	-	35	FFKM	SCH385A001	3	4	1.4
								EPDM	SCH385A001E			
								FKM	SCH385A001V			

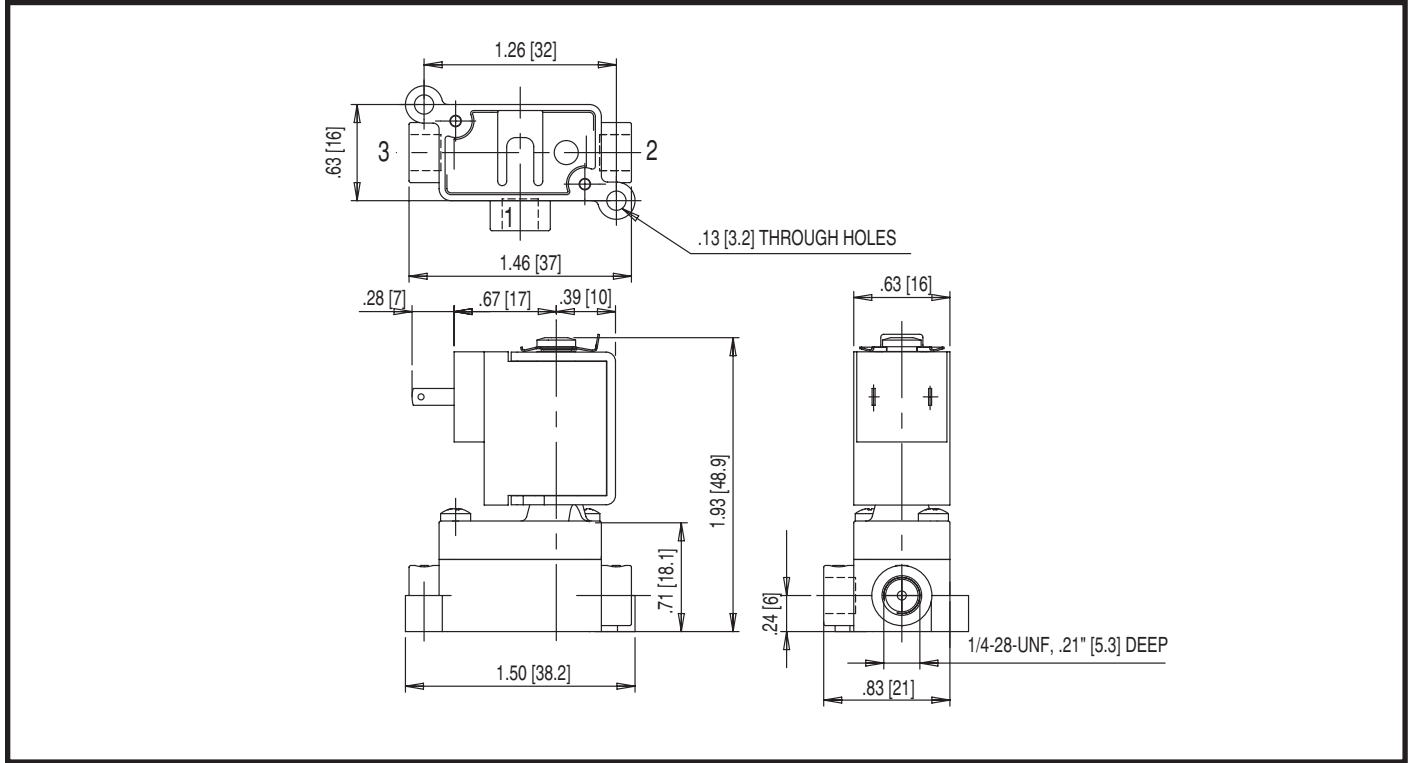
Dimensions: Inches (mm)

Constr. Ref. 1



Dimensions: Inches [mm]

Constr. Ref. 2



Constr. Ref. 3

