

Only 1/2" in diameter the Series 407C valves are suitable for a wide range of OEM applications where small size, low power, and light weight are required.

- Corrosion resistant materials of construction.
- Bib porting for use with 1/16" soft tubing.
- Magnetic latching construction available to maintain valve position with loss of power, eliminate coil heat rise and extend battery life.

Construction

Valve Parts in Contact with Fluids	
Body	POM
Disc	NBR or FKM
Gaskets	NBR or FKM
Bobbin/CoreTube	PPS
Core and Plugnut	400 Series Stainless Steel
Springs	300 Series Stainless Steel

Electrical

Standard Voltages	6, 12, 24 VDC+ 10%, -5%
Power Consumption	1.5-2.5 Watts (10 watts for latching version)
Duty Cycle Rating	Continuous (Intermittent for latching version)
Coil Insulation	266°F (130°C)
Electrical Connection	26 gage lead wire

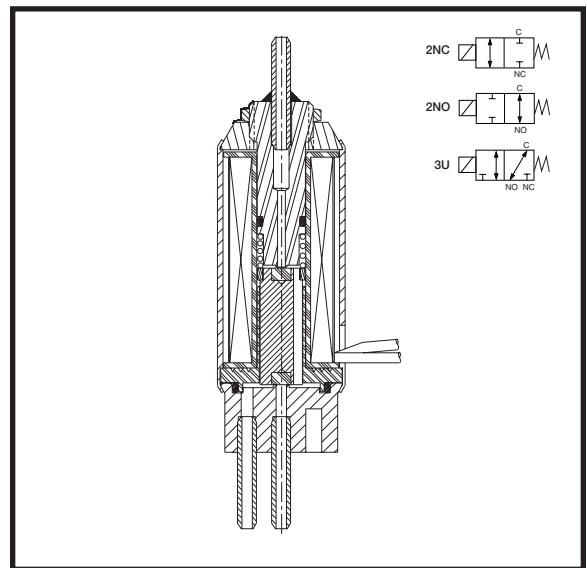
Valve

Response Time	~4 ms at rated voltage
Internal Volume	2-Way NC = 90µL, 2-Way NO = 110µL, 3-Way = 120µL
Mounting Bracket	Optional mounting clip, pin S188-C3 (see drawing)
Options	<ul style="list-style-type: none"> • Oxygen service construction available • Lubricant free construction available
Vacuum Rating	29" Hg

Alternative Constructions

Many alternative constructions are available and include a variety of voltages, electrical connectors and materials of construction. ASCO Scientific can also custom design a valve for your specific application.

Contact your local ASCO sales office for more information.



Temperature Range:

Ambient & Media:
32°F to 77°F (0°C to 25°C) continuous duty
up to 104°F (40°C) intermittent duty

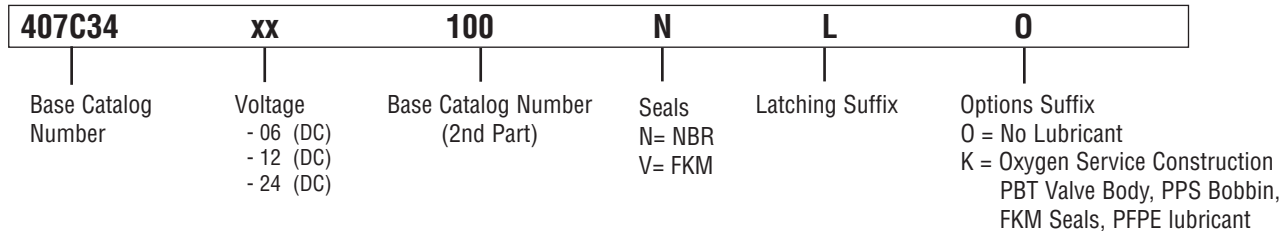
Approvals:

Meets applicable CE directives.

Specifications

Ports	Orifice Size (ins.)	Cv Flow Factor	Maximum Pressure (psi)	Catalog Number	Watt Rating @ 20°C	Weight (oz.)
2-WAY NORMALLY CLOSED (Closed when de-energized)						
Bibs for 1/16" ID Tubing	0.040	0.022	100	407C14xx100N	2.5	.67
Bibs for 1/16" ID Tubing	0.040	0.022	50	407C14xx050N	1.5	.67
2-WAY NORMALLY OPEN (Open when de-energized)						
Bibs for 1/16" ID Tubing	0.038	0.020	100	407C24xx100N	2.5	.67
Bibs for 1/16" ID Tubing	0.038	0.020	50	407C24xx050N	1.5	.67
3-WAY UNIVERSAL OPERATION (Pressure at any port)						
Bibs for 1/16" ID Tubing	0.040/0.038	0.022/0.020	100	407C34xx100N	2.5	.67
Bibs for 1/16" ID Tubing	0.040/0.038	0.022/0.020	50	407C34xx050N	1.5	.67
2-WAY LATCHING						
Bibs for 1/16" ID Tubing	0.040	0.022	100	407C14xx100NL**	10*	.67
Bibs for 1/16" ID Tubing	0.040	0.022	100	407C24xx100NL***	10*	.67
3-WAY LATCHING						
Bibs for 1/16" ID Tubing	0.040/0.038	0.022/0.020	100	407C34xx100NL	10*	.67
Notes						
"xx" Denotes place in catalog number for voltage						
* Latching valves are designed for intermittent duty only. Wattage rating applies to 20 – 30 ms duration required to actuate valve. Once switched no additional power is required to hold the valve in its position.						
** Flow Path through body (between NC and common ports)						
*** Flow Path between common port and NO port (top of valve)						

Catalog Number Description and Options



To Construct Catalog Number

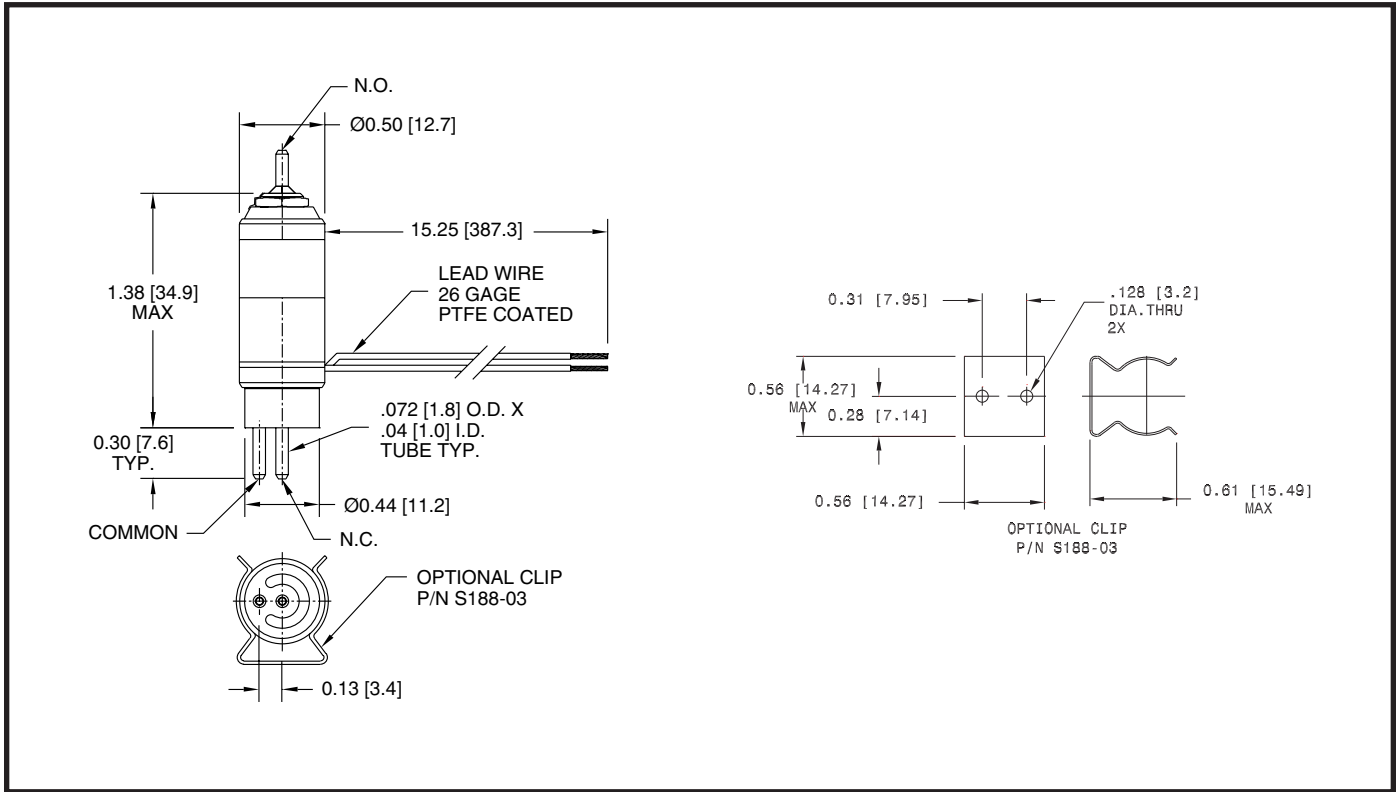
- Select base catalog number
- Insert voltage into the 7th and 8th digits denoted by "xx"
- Insert "N" (NBR) or "V" (FKM) into 12th digit to select seal material
- Add suffix for optional features to end of base catalog number

Examples

407C1424100N = 2-Way normally closed valve with 0.040" orifice, 100 psig maximum pressure rating, and 24 VDC coil rated at 2.5 Watts

407C3406100VLO = 3-Way latching valve with 0.040" and 0.038" orifices, 100 psig maximum pressure rating, 6 VDC coil suitable for oxygen service

Dimensions 2 and 3-Way Standard Solenoid: Inches [mm]



Dimensions 2 and 3-Way Latching Solenoid: Inches [mm]

